

29¢

# Skirts

suits  
stoles

CROCHETED  
&  
KNITTED  
SIZES 10 TO 20



# Knitted Patchwork Skirt

## Make It In 2 Straight Sections

illustrated in color on front cover

Sizes: 10, 12, 14, 16, 18, 20

Materials Required:

**AMERICAN THREAD COMPANY  
"DAWN" KNITTING WORSTED**

6 ounces each Dk. Oxford, Potter Gold and  
Watermelon

7 ounces White

4 ounces Black or colors of your choice

1 Pr. Knitting Needles No. 8 OR ANY  
SIZE NEEDLES WHICH WILL RESULT IN  
STITCH GAUGE BELOW

1 Cable Needle

Steel Crochet Hook Size 0

1 yard Black grosgrain ribbon

7 inch CONMAR "NO-SNAG" Zipper

2 Hooks

**GAUGE:** 5 sts = 1 inch

**NOTE:** Twist yarns tightly on wrong side  
when changing colors.

**PATTERN A:** Worked on 24 sts for 30  
rows: **ROW 1:** (wrong side): P 1 \* K 2,

P 3; repeat from \* across, end K 2, P 1.  
**ROW 2:** K 1, \* P 2, K 3; repeat from \*  
across, end P 2, K 1. **ROW 3:** As row 1.  
**ROW 4:** K 1, \* P 2, slip 2 sts to dp needle,  
hold in back of work, K 1, K 2 from dp  
needle; repeat from \* across, end P 2, K 1.  
**ROW 5 and 7:** As row 1. **ROW 6:** As  
row 2. **ROW 8:** K 1, \* P 2, slip 1 to dp  
needle, hold in front of work, K 2, K 1  
from dp needle; repeat from \* across,  
end P 2, K 1. Repeat these 8 rows for pat-  
tern A. **PATTERN B:** Worked on 24 sts  
for 30 rows. **ROW 1 (wrong side):** K 2,  
\* P 4, K 4; repeat from \* across, end P 4,  
K 2. **ROW 2:** P 3, \* K 4, P 4; repeat from \*  
across, end K 4, P 1. **ROW 3:** \* P 4, K 4;  
repeat from \* across. **ROW 4:** K 1,  
\* P 4, K 4; repeat from \* across, end K 3.  
**ROW 5:** P 2, \* K 4, P 4; repeat from \*  
across, end P 2. **ROW 6:** K 3, \* P 4, K 4;  
repeat from \* across, end K 1. **ROW 7:**  
\* K 4, P 4; repeat from \* across. **ROW 8:**  
P 1, \* K 4, P 4; repeat from \*  
across, end P 3. Repeat these 8 rows for  
pattern B. **PATTERN C:** Worked on 24 sts  
for 30 rows. **ROW 1 (wrong side):** K 2  
\* P 4, K 4; repeat from \* across, end P 4,  
K 2. **ROW 2:** P 2 \* K 4, P 4; repeat from \*  
across, end K 4, P 2. **ROW 3:** As row 1.  
**ROW 4:** \* Slip 3 sts to dp needle, hold in  
back of work, K 1, K 3 from dp needle,  
slip 1 st to dp needle, hold in front of  
work, K 3, K 1 from dp needle; repeat  
from \* across. Repeat these 4 rows for  
pattern C. **PATTERN D:** Worked on 24 sts  
for 30 rows. **ROW 1 (wrong side):** K 1,  
P 1 for 5 sts, P 2, K 1, P 2 (cable), K 1,  
P 1 for 4 sts, P 2, K 1, P 2 (cable), K 1,  
P 1 for 5 sts. **ROW 2:** K 1, P 1 for 5 sts,  
K 2, P 1, K 2 (cable), P 1, K 1, P 1, K 1,  
K 2, P 1, K 2 (cable), K 1, P 1 for 5 sts.  
**ROW 3:** As row 1. **ROW 4:** K 1, P 1 for 5  
sts, slip 3 sts to dp needle, hold in back of  
work, K next 2 sts, P 1, K 2 from dp  
needle, P 1, K 1, P 1, K 1, slip 3 sts to dp  
needle, hold in back of work, K next



The American Thread Company

260 West Broadway, New York 13, N. Y.

PRINTED  
IN  
U.S.A.

2 sts, P 1, K 2 from dp needle, K 1, P 1 for 5 sts. **ROWS 5, 7, 9, AND 11:** As row 1. **ROWS 6, 8, 10, AND 12:** As row 2. Repeat rows 1 through 12 for pattern D. **PATTERN E:** Worked on 24 sts for 30 rows. **ROW 1 (wrong side):** K 2, P 1, K 1, P 1, K 4, P 1, K 4, P 1, K 1, P 1, K 4, P 1, K 2. **ROW 2:** P 2, slip 1 (slip as if to P with yarn in back of work), P 4, slip 1, P 1, slip 1, P 4, slip 1, P 4, slip 1, P 1, slip 1, P 2. Repeat these 2 rows for pattern E. **PATTERN F:** Worked on 24 sts for 30 rows. **ROW 1 (wrong side):** Purl. **ROW 2:** K 3, \* popcorn in next st (K from back to front alternately 5 times in one st loosely, K 6th st in same st tightly, pull the 5 loose sts over the 6th st), K 5; repeat from \* across, end popcorn st, K 2. **ROW 3:** P. **ROW 4:** K 2, \* popcorn, K 1, popcorn, K 3; repeat from \* across, end popcorn, K 1. **ROW 5:** Purl across. **ROW 6:** As row 2. **ROWS 7, 9, 11, 13, 15:** Purl. **ROWS 8, 10, 12, 14:** Knit. **ROW 16:** K 6, \* popcorn, K 5; repeat from \* across, end K 5. **ROWS 17, 19, 21, 23, 25:** Purl. **ROWS 18, 20, 22, 24:** Knit. **ROW 26:** As row 2. **ROW 27:** As row 3. **ROW 28:** As row 4. **ROW 29:** As row 5. **ROW 30:** As row 6.

**BACK:** With color #5 and No. 8 knitting needles cast on 124 sts. Attach colors and K across next row as follows: K 25 #2, K 25 #4, K 25 #1, K 25 #3 and K 24 #4. Each pattern box has 24 sts and between each pattern box there is 1 st worked in stockinette st so that it will be the guide st when working in the vertical #5 line upon completion of section. Start patterns following the chart on page 4 on next row, keeping the 1 st between boxes in stockinette st until the 30 pattern rows for each box are completed. All patterns end with the completion row on right side. With #5 purl 1 row across all sts. Establish the next boxes as designated on the chart by knitting across 1 row in the new colors. Start patterns for new boxes in the colors just established on the row below

*continued on page 4*



## Patchwork Skirt

continued from page 3

on the wrong side of work. Make sure to keep the one st in stockinette st between boxes all the way up. Follow chart ending off boxes with a row of purl in #5 and establishing new boxes as explained above until the 5 boxes are completed. P 1 row in #5. Section should measure approximately 22" from beg. Bind off.

**FRONT:** With #5 and No. 8 knitting needles cast on 124 sts. Follow chart for front establishing colors and patterns in same manner as for back. Make sure to keep the one st stockinette st between boxes all the way up. After completion of 5th row of boxes, P 1 row in #5. Bind off.

**WAISTBAND:** With #5 cast on 10 sts. Work even in stockinette st for 24½" (size 10), 26½" (size 12), 27½" (size 14), 29½" (size 16), 30½" (size 18) and 32½" (size 20). Bind off.

**FINISHING:** Block each pattern to same size. Along each st that was worked in stockinette st to separate the boxes, with #5 embroider a duplicate st. Embroider these vertical lines between boxes on back and front. Reblock pieces. With #5 work 1 row of s c along each side edge. Sew side seams flat leaving a 7" opening for zipper on left side. With #5 sew a running st around waistline and gather in to measure approx. 24" (size 10), 25" (size 12), 26" (size 14), 28" (size 16), 30" (size 18), 32" (size 20). Block waistband. With #5 work 1 row of s c around all sides of waistband. Place one edge of waistband over waistline edge of skirt and sew allowing approx. ½" for an overlap above zipper opening. Line waistband with ribbon and turn over top edge of waistband and sew. Sew in zipper. Block. With #5 work 1 row of s c around lower edge of skirt.

### FRONT

2C	3F	4A	1E	4D
1A	4E	3B	2F	1C
3B	1D	4C	3E	2A
1C	3A	1F	2B	4E
3B	2E	4D	3F	1C

### BACK

2A	1F	3C	4B	1D
3D	4C	1A	3F	2E
4A	1E	3B	2D	4F
2F	4D	2E	1A	3C
4E	3A	1F	4B	2D

DARK OXFORD = #1  
 POTTER GOLD = #2  
 WHITE = #3  
 WATERMELON = #4  
 BLACK = #5

# The Ripple Skirt

So Simple - Only A  
Single Crochet Stitch

Size: Small, Medium, Large

Materials Required:

**AMERICAN THREAD COMPANY  
"DAWN" KNITTING WORSTED**

6 (7, 8) ounces Amber

4 (5, 6) ounces each Potter Gold, Cocoa,  
Watermelon, Beige and Tangerine or  
colors of your choice.

Plastic Crochet Hooks Size H and J OR  
ANY SIZE HOOK WHICH WILL RESULT  
IN STITCH GAUGE BELOW

$\frac{3}{4}$  yd.  $\frac{3}{4}$  inch elastic

**GAUGE For Size J Hook:** 3 s c = 1 inch  
Directions are given for small size (10-  
12). Changes for medium (14-16) and  
large (18-20) sizes are given in paren-  
theses.

With Amber and J hook ch 221 (238,  
255), join in 1st st of ch taking care not  
to twist ch, ch 1, 1 s c in same space,  
1 s c in each of the next 6 sts of ch,  
\* 3 s c in next st, 1 s c in each of the next  
7 sts of ch, skip 2 sts of ch, 1 s c in each  
of the next 7 sts of ch, repeat from \* across  
ch ending to correspond, join in 1st s c.

**2nd ROUND:** Ch 1, turn, working in back  
loop of sts throughout skip 1 s c, \* 1 s c  
in each of the next 7 s c, 3 s c in next

continued on page 34



# Knitted Pennsylvania Dutch Pattern

illustrated in color on front cover

**SIZE:** One size will fit 10-16

Materials Required:

**AMERICAN THREAD COMPANY  
"DAWN" KNITTING WORSTED**

30 ounces Tangerine

1 Pr. KNITTING NEEDLES No. 8 OR ANY  
SIZE NEEDLE WHICH WILL RESULT IN  
STITCH GAUGE BELOW.

$\frac{3}{4}$  yd.  $\frac{3}{4}$  inch elastic

**GAUGE:** 6 sts = 1 inch

**MOTIF** Cast on one st and K 2 sts into it.

**2nd ROW:** K 1, K 2 in next st. **3rd ROW:**

K 2, K 2 in next st. **NEXT 19 ROWS:** Con-

tinue knitting increasing 1 st in last st

until there are 23 sts on needle. **23rd ROW:**

Purl across row and increase in last st

(continue increasing at the end of each

row until the 61st row has been completed.

The increases will not be referred to again

and must be added to each row except in

rows 24 and 36. In these 2 rows the complete

directions are given). **24th ROW:**

K 1, \* K 2 tog, K 1, y o, repeat from \* 6

times, K 2 and increase. **NEXT 11 ROWS:**

P 1 row, K 9 rows, P 1 row. **36th ROW:**

K 1, \* K 2 together, K 1, y o, repeat from \* 10

times, K 2 and increase. **NEXT 5**

**ROWS:** P 1 row, K 4 rows. **42nd ROW:**

K 3, y o, K 1, y o, \* K 6, y o, K 1, y o,

repeat from \* 4 times, K 3. **43rd ROW:**

K 4, P 3, \* K 6, P 3, repeat from \* 4

times, K 3. **44th ROW:** K 4, y o, K 3, y o,

\* K 6, y o, K 3, y o, repeat from \* 4 times,

K 4. **45th ROW:** K 5, P 5, \* K 6, P 5, re-

peat from \* 4 times, K 4. **46th ROW:** K 5,

y o, K 5, y o, \* K 6, y o, K 5, y o, repeat

from \* 4 times, K 5. **47th ROW:** \* K 6,

P 7, repeat from \* 5 times, K 5. **48th**

**ROW:** K 6, \* sl 1, K 1, pass sl st over K st,

(p.s.s.o.) K 3, K 2 together, K 6, repeat

from \* across row ending with K 6. **49th**

**ROW:** K 7, \* P 5, K 6, repeat from \*

across row ending with K 6. **50th ROW:**

K 7, \* sl 1, K 1, p.s.s.o., K 1, K 2 tog,

K 6, repeat from \* across row ending with

K 7. **51st ROW:** K 8, \* P 3, K 6, repeat

from \* across row ending with K 7. **52nd**

**ROW:** K 8, \* K 3 together, K 6, repeat

from \* across row ending with K 8. **NEXT**

**9 ROWS:** K 4 rows, P 1 row, K 1 row, P 1

row, K 2 rows. **62nd ROW:** Start decreas-

ing, K to within the last 3 sts, K 2 tog,

K 1. **63rd ROW:** Purl to within the last 3

sts, P 2 tog, P 1. (Decrease 1 st at end of

each row in same manner. Decreases will

not be referred to again and must be

worked in each row except in rows, 76,

80 and 121. In these rows the complete

directions are given). **NEXT 12 ROWS:**

K 1 row, P 1 row, K 9 rows, P 1 row. **76th**

**ROW:** K 1, \* K 2 tog, K 1, y o, repeat

from \* 14 times, K 2 tog (47 sts on

needle). **NEXT 3 ROWS:** P 1 row, K 1

row, P 1 row. **80th ROW:** K 1, \* K 2 tog,

K 1, y o, repeat from \* 12 times, K 1, K 2

together, K 1, (43 sts on needle). **NEXT**

**17 ROWS:** P 1 row, K 9 rows, P 1 row,

K 1 row, P 1 row, K 1 row, P 1 row, K 2

Antique

rows. **98th ROW:** K 12, y o, K 1, y o, K to end of row. **99th ROW:** K 12, P 3, K to end of row. **100th ROW:** K 11, y o, K 3, y o, K to end of row. **101st ROW:** K 11, P 5, K to end of row. **102nd ROW:** K 10, y o, K 5, y o, K to end of row. **103rd ROW:** K 10, P 7, K to end of row. **104th ROW:** K 9, y o, K 7, y o, K to end of row. **105th ROW:** K 9, P 9, K to end of row. **106th ROW:** K 8, y o, K 9, y o, K to end of row. **107th ROW:** K 8, P 11, K to end of row. **108th ROW:** K 7, sl 1, K 1, p.s.s.o., K 7, K 2 tog, K to end of row. **109th ROW:** K 7, P 9, K to end of row. **110th ROW:** K 6, sl 1, K 1, p.s.s.o., K 5, K 2 tog, K to end of row. **111th ROW:** K 6, P 7, K to end of row. **112th ROW:** K 5, sl 1, K 1, p.s.s.o., K 3, K 2 tog, K to end of row. **113th ROW:** K 5, P 5, K to end of row. **114th ROW:** K 4, sl 1, K 1, p.s.s.o., K 1, K 2 tog, K to end of row. **115th ROW:** K 4, P 3, K to end of row. **116th ROW:** K 3, K 3 tog, K to end of row. **117th, 118th, 119th and 120th ROWS:** K across each row. **121st ROW:** K 2 tog, K 1, turn, K 2 tog and fasten off. Work 17 more motifs. Weave motifs together as illustrated through loop in back of edge sts matching rows.

**WAISTBAND AND CASING:** See skirt on page 27. Work a row of sl sts around top edge. **HEM:** Turn up 2 inches or required amount for length desired all around and sl st in place.



# The Afghan Coat

**Sizes: Small, Medium-Large**

Materials Required:

**AMERICAN THREAD COMPANY  
"DAWN" KNITTING WORSTED**

25 (32) ounces Black

23 (30) ounces assorted colors

Plastic Crochet Hook Size H OR ANY  
SIZE HOOK WHICH WILL RESULT IN  
MOTIF GAUGE BELOW

**GAUGE:** Each motif is a 4½ inch square.

Directions are given for Small size (10-12-14). Changes for Medium-Large size (16-18-20) are given in parentheses.

**MOTIF:** With any color ch 4, join to form a ring, ch 3 (counts as 1 d c), 2 d c in ring, \* ch 1, 3 d c in ring, repeat from \*

twice, ch 1, join in 3rd st of ch, cut yarn.

**2nd ROUND:** Attach next color in ch 1 loop, ch 3, 2 d c, ch 1, 3 d c in same loop, \* 3 d c, ch 1, 3 d c in next loop, repeat from \* twice, join in 3rd st of ch, cut yarn.

**3rd ROUND:** Attach next color in corner loop, ch 3, 2 d c, ch 1, 3 d c in same loop, \* 3 d c in next space between corners, 3 d c, ch 1, 3 d c in next loop, repeat from \* twice, 3 d c in next space, join in 3rd st of ch.

**4th ROUND:** Attach Black in corner loop, ch 3, 2 d c, ch 1, 3 d c in same loop, \* 3 d c in each of the next 2 spaces, 3 d c, ch 1, 3 d c in corner loop, repeat from \* twice, 3 d c in each of the next 2 spaces, join in 3rd st of ch.





*Make It Long*  
*Make It Short*  
*Make It Medium*



**ROUND:** Ch 1, work 3 s c in each corner st and work 1 s c in each st in round, join in 1st s c, cut yarn. Work 99 (151) more motifs in same manner working colors as desired.

**FINISHING:** Sew motifs tog through loop in back of sts of last row according to chart #3 for full length small size or #2 for full length large size on page 33.

**TRIM:** With Black, ch 3, work 5 s c in 1st st of ch. Do not join or turn rows. Working into back loop of each st work 1 s c in each st until trim is long enough to fit all around edge of coat. Finish each sleeve edge in same manner.

**NOTE:** If a shorter coat or jacket is desired, work in same manner following charts on pages 32 and 33 for length desired. If desired line coat.

# The Afghan Bag



## To Match The Coat On Page 8

Materials Required:

**AMERICAN THREAD COMPANY  
"DAWN" KNITTING WORSTED**

9 ounces Black

11 ounces assorted colors

Plastic Crochet Hook Size H OR ANY  
SIZE HOOK WHICH WILL RESULT IN  
MOTIF GAUGE BELOW

1 yd. Taffeta for lining

1 Cafe Drapery Rod (20 inches long)

2 sets Drapery Rod Clips

**GAUGE:** Each motif is a  $4\frac{1}{2}$  inch square.

Work 40 motifs same as motif on page 8. Sew  $8 \times 5$  motifs tog same as Afghan Coat on page 8. Fold section in half having 5 motifs on each side of top. Sew side seams. With Black work a row of s c across top dec every 3rd st, join in 1st

s c. **NEXT ROW:** Ch 3, 2 d c in same space, \* skip 2 sts, s c in next st, ch 3, 2 d c in same space, repeat from \* all around ending to correspond. Cut lining to fit bag allowing  $\frac{1}{2}$  inch for seams. Sew in position. Separate drapery rod and lace one half through each side of bag as illustrated. (Leave 3 shells free at each end of bag). Sew drapery clips in position at each end. **HANDLES:** With Black ch 2, 5 s c in 2nd st from hook, join. **NEXT ROW:** Ch 1, working in back loop of sts only 1 s c in each s c. Without joining rows continue in s c until handle measures 18 inches from beg. Work another handle in same manner. Cut 6 strands of Black 18 inches long. Lace through handle. Sew handles in position to free end of drapery clips.

Antique



## Slippers

### 3 Crocheted Squares Make A Slipper

Materials Required:  
**AMERICAN THREAD COMPANY  
"DAWN" KNITTING WORSTED**

2 ounces Watermelon  
1 ounce Bright Pink No. 1 or colors of  
your choice

Plastic Crochet Hook Size H OR ANY  
SIZE HOOK WHICH WILL RESULT IN  
MOTIF GAUGE BELOW.

**GAUGE:** Small motif is a 3 inch square;  
Large motif is a 7 inch square.

**SMALL MOTIF:** (make 4) With Bright  
Pink No. 1 work 1st 5 rounds same as  
motif on page 12 finishing last round to  
end of next corner, join, cut yarn.

**LARGE MOTIF:** (make 2) With Water-  
melon work 1st 7 rounds same as motif  
on page 12. Do not cut yarn at end of  
last round. **NEXT 5 ROUNDS:** Repeat  
7th round finishing last round to end of  
next corner, join, cut yarn.

**FINISHING:** Fold large motif so that op-  
posite points meet at center. Place 1  
small motif in one opening. Sewing  
through loops in back of sts of last row,  
sew motifs in place centering points of  
all corners of small motif. Place and sew  
remaining small motif in position sewing  
2 sides and 3 sts beyond center st of large  
motif for heel section.

# Crocheted Suits

illustrated at center in color on front cover

## SIZES: Small, Medium and Large

Materials Required:

**AMERICAN THREAD COMPANY  
"DAWN" KNITTING WORSTED**

18 (21, 24) ounces Tangerine or color of your choice

Plastic Crochet Hook Size H OR ANY SIZE HOOK WHICH WILL RESULT IN MOTIF GAUGE BELOW

$\frac{3}{4}$ yd.  $\frac{3}{4}$  inch elastic

**GAUGE:** Each motif is a 4 inch square.

Directions are given for small size (10-12). Changes for medium (14-16) and large (18-20) sizes are given in parentheses.

**MOTIF:** Ch 2, work 8 s c in 1st st of ch (Do not join rounds, place a marker at beginning of each round). **2nd ROUND:** Working in back loop of sts only throughout, \* 3 s c in next s c, 1 s c in next s c, repeat from \* all around. **3rd to 7th ROUNDS:** Work 1 s c in each s c working 3 s c in each corner s c, ending 7th round with sl st in the 1st 2 s c to even round, cut yarn.

## SKIRT

Work 60, (72, 84) motifs. Block each motif. Sew 5 x 12 (6 x 12, 7 x 12) motifs together sewing through loop in back of sts of last row.

**BORDER:** Attach yarn and working in back loop of sts only work 7 rounds of s c, join in last round, sl st in next s c, cut yarn. **WAISTBAND:** Working into back loop of sts work a round of s c dec every other st, do not join. Work in rounds of s c until waistband measures 1  $\frac{1}{2}$  inches, sl st in next 2 s c, cut yarn.

**CASING FOR ELASTIC:** Attach yarn on inside of waistband in last round, \* ch 5, skip 3 s c, sl st in 1st round, ch 5, skip 3 s c, sl st in next s c of last round, re-

peat from \* all around, join, cut yarn. Lace elastic through casing.

**NOTE:** Directions for Coats below are given for small (10-12) size. Changes for medium-large size (14-16) are given in parentheses.

## $\frac{3}{4}$ LENGTH COAT (center)

**34 (37) ounces**

Work 98 (108) motifs. Block each motif and sew tog through loop in back of sts of last row. Arrange motifs according to chart on page 33 easing fullness at shoulders.

**EDGING:** Join yarn in center st at back of neck, then working in back loop of sts only, work 6 rows of s c for small size and 9 rows of s c for medium size all around working 3 s c in corner st at each lower front edge, sl st in next 2 s c to even row, cut yarn.

## JACKET (on left)

**20 (23) ounces**

Work 62 (67) motifs. Block and sew tog same as  $\frac{3}{4}$  length coat arranging motifs according to chart on page 32 and easing fullness at shoulder.

**EDGING:** Work same as  $\frac{3}{4}$  length.

## $\frac{7}{8}$ LENGTH COAT (on right)

**36 (40) ounces**

Work 108 (140) motifs. Block and sew motifs tog. Arrange motifs according to chart on page 33 but having 9 motifs in length for front and back. Leave 2 motifs free at each side seam for slits. Work tubing to fit all around edge and around each sleeve as follows: ch 2, 5 s c in 2nd st from hook, do not join this or following rounds. Working in back loop of sts, 1 s c in each s c until tubing is length required, cut yarn. Sew tubing in place easing in position at sides.



# The Hairpin Lace Stole

illustrated in color on back cover

18 inches x 60 inches  
without fringe

Materials Required:

**AMERICAN THREAD COMPANY**

**"DAWN" BABY YARN or**

**"DAWN" NYLON OR "DAWN" NYLON  
POMPADOUR or**

**"DAWN" ORLON HIGH BULK FINGER-  
ING YARN or "DAWN" ORLON POMPA-  
DOUR**

9 ounces Baby Blue or color of your choice  
Plastic Crochet Hook Size E

1 — 1 inch Hairpin Lace Staple

Each motif is a 3 inch square.

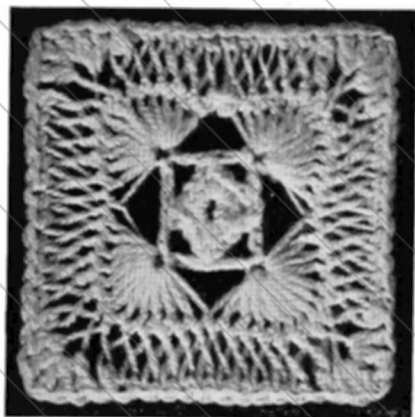
**HAIRPIN LACE:** Make a loop at end of yarn, place left prong of staple in loop just made having beg of loop at center of staple, insert hook in loop, wind yarn around right prong of hairpin staple, yarn over and draw through loop keeping work at center of staple, yarn over and pull through loop, \* drop loop from hook, turn staple 1/2 turn to the left, pick up dropped loop at center, insert hook through top part of loop on left prong, yarn over and pull through loop on the staple and on the hook at the same time, repeat from \* for length desired.

**MOTIF:** Work a length of hairpin lace having 52 loops on each side of staple, cut yarn leaving a length for joining. Remove from staple and join both ends at center to form a circle. Take care not to twist length. Make a loop on hook,

keeping 1 twist in each loop working along inner edge of circle, insert hook through 13 loops, yarn over and pull through all loops, \* ch 5, insert hook through next 13 loops, yarn over and pull through all loops, repeat from \* all around, ch 5, join in 1st 13 loop group, cut yarn. **INNER CIRCLE:** Ch 2, 3 s c in 2nd st from hook, ch 1, drop loop from hook, insert in center st of any ch 5 loop of hairpin lace, pull dropped loop through, ch 1, 3 s c in same st where 3 s c were worked, \* ch 1, join in same manner to next ch 5 loop, ch 1, 3 s c in same st where 3 s c were worked, repeat from \* all around ending to correspond, join, cut yarn. **Working around outer edge** of hairpin lace, keeping 1 twist in loops, attach yarn in center loop of any corner, ch 3, 2 d c in same loop, \* s d c in next loop (s d c: yarn over hook, insert in loop, pull yarn through, yarn over and work off all loops at one time), 1 s c in each of the next 10 loops, s d c in next loop, 5 d c in next loop, repeat from \* all around ending to correspond working 2 d c in 1st st already worked in, join in 3rd st of ch, cut yarn.

**FINISHING:** Work 119 more motifs in same manner. Block all motifs. Sewing through back loop of sts only sew 6 x 20 motifs tog. Working into both loops work a row of s c around outer edge working 1 s c into each st of each motif and 3 s c in each corner st.

**FRINGE:** Wind yarn over a 7 inch card-board. Cut one end. Using 3 strands, double in half, insert hook in st, pull loop through, draw ends tightly through loop. Work a fringe in every other st across each short edge. Trim fringe evenly.



# The 3 - Motif Skirt

1st illustration on opposite page

**SIZE: One Size will fit 10-16**

Materials Required:

**AMERICAN THREAD COMPANY**

**"DAWN" KNITTING WORSTED**

13 ounces Potter Gold

2 ounces each Bright Pink No. 3 and Orange

3 ounces each Tangerine and Dk. Coral or colors of your choice

Plastic Crochet Hook Size H OR ANY SIZE HOOK WHICH WILL RESULT IN MOTIF GAUGE BELOW

$\frac{3}{4}$  yd. Elastic

**GAUGE:** Each motif is a 3 inch square.

## MOTIF NO. 1

With Dk. Coral ch 5, join to form ring, ch 3, work 19 d c in ring, join in 3rd st of ch, cut yarn. **2nd ROUND:** With Potter Gold work 1 s c in each st, join in 1st s c. **3rd ROUND:** Ch 3, 1 d c, ch 1, 2 d c in same space, \* 1 s d c in each of next 4 sts (s d c: yarn over hook, insert in st, pull loop through, yarn over and work off all loops at one time), 2 d c, ch 1, 2 d c in next st, repeat from \* all around ending to correspond, join, cut yarn.

## MOTIF NO. 2

With Potter Gold ch 5, join to form a ring, ch 3, 3 d c in ring, \* ch 1, 4 d c in ring, repeat from \* twice, ch 1, join. **2nd ROUND:** Ch 1, s c in same space, work 1 s c in each d c working 1 s c, ch 1, 1 s c in each corner, join, cut yarn. **3rd ROUND:** With Bright Pink No. 3, s c in

ch 1 loop, skip 2 s c, 3 d c in next s c, ch 1, 3 d c in next s c, s c in next ch 1 space, skip next 2 s c, 3 d c in next s c, ch 1, 3 d c in next s c, skip next 2 s c, work 1st part of s c in next s c, drop yarn, attach Orange and complete s c, skip 2 s c, 3 d c in next s c, complete round to correspond, join, cut yarn.

## MOTIF NO. 3

With Potter Gold ch 5, join to form a ring, ch 3, 3 d c in ring, \* ch 1, 4 d c in same space, repeat from \* twice, ch 1, join in 3rd st of ch 3, cut yarn. **2nd ROUND:** Attach Tangerine in ch 1 space, ch 4, d c in same space, work 1 d c in each d c all around working 1 d c, ch 1, 1 d c in each corner, join in 3rd st of ch, cut yarn. **3rd ROUND:** With Potter Gold \* work 1 s c, ch 1, 1 s c in ch 1 space, 1 s c in each d c, repeat from \* all around, join, cut yarn.

Work 120 motifs working 40 of each. Block each motif. Sew 8 x 15 motifs tog through loop in back of sts of last round. Arrange motifs in 1, 2, 3 order in 1st row, then in 3, 1, 2 order in 2nd row, and 2, 3, 1 order in 3rd row. Repeat 1st, 2nd and 3rd row once, then repeat 1st and 2nd row.

**WAISTBAND:** Work in s c dec every 3rd st, then work in rounds of s c until waistband measures 1 1/2 inches, join, cut yarn.

**CASING FOR ELASTIC:** Same as motif skirt on page 12.



Antique



*The*

"FIESTA" Skirt #3  
Directions on Page 21

## *Big Block Afghan Skirt*

**SIZE: 10-16**

Materials Required:

**AMERICAN THREAD COMPANY  
"DAWN" KNITTING WORSTED**

10 ounces Black  
7 ounces White  
5 ounces Kelly Green  
1 ounce Lt. Gray

Plastic Crochet Hook Size H OR ANY  
SIZE HOOK WHICH WILL RESULT IN  
STITCH GAUGE BELOW

**GAUGE:** 4 sts = 1 inch. Each motif is 18  
inches square

With Kelly Green ch 5, join to form a ring.

**1st ROUND:** Ch 3, 3 d c in ring, drop  
loop from hook, insert in 3rd st of ch,  
pick up and pull loop through, \* ch 3,  
work a 4 d c popcorn st in ring (popcorn  
st: 4 d c, drop loop from hook, insert in  
1st d c, pick up and pull through), repeat  
from \* twice, ch 3, join in top of 1st pop-  
corn st, cut yarn. **2nd ROUND:** Attach  
Black, ch 3, \* 3 d c, ch 3, 3 d c in next  
ch 3 loop, 1 d c in popcorn st, repeat  
from \* twice, 3 d c, ch 3, 3 d c in next  
ch 3 loop, join in 3rd st of ch, cut yarn.

*continued on page 20*

# The Harlequin Coat In

**NOTE:** Due to extra row worked on motif for Medium-Large size, less motifs required for this size.

**Sizes: Small, Medium-Large**

Materials Required:

**AMERICAN THREAD COMPANY  
"DAWN" KNITTING WORSTED**

15 (18) ounces Black

9 (12) ounces each White, Lt. Oxford  
Gray or colors of your choice

Plastic Crochet Hook Size H OR ANY  
SIZE HOOK WHICH WILL RESULT IN  
MOTIF GAUGE BELOW.

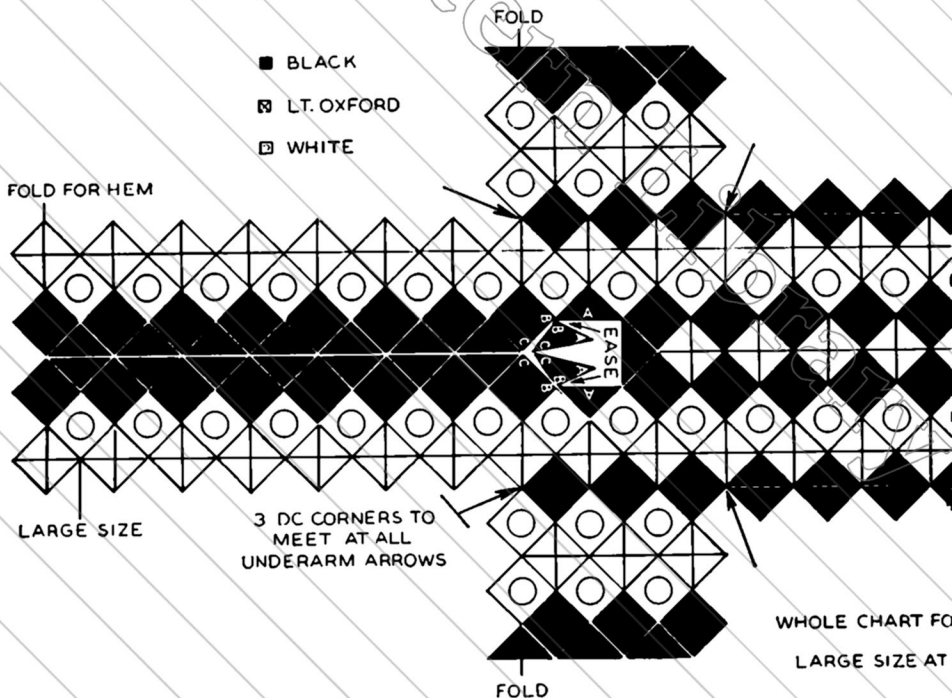
**GAUGE:** Each motif is a 3½ (4) inch  
square.

Directions are given for small (10-12)

size. Changes for Medium-Large (14-18)  
given in parentheses.

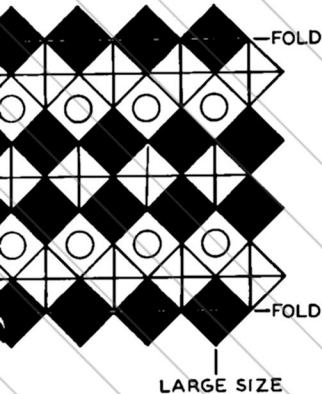
Work 6 (7) rows of motif on page 12  
working 54 (50) Black, 44 (44) White,  
46 (42) Lt. Oxford motifs. For underarm  
work 6 more Black, 4 more Lt. Oxford and  
2 more White motifs working 3 d c in one  
corner of each motif.

**TO ASSEMBLE:** Block each motif. Sew  
motifs tog through loops in back of each  
st of last row using any one color for  
sewing. Arrange motifs according to chart.  
With Black work 25 (25) half motifs as  
follows: **HALF MOTIFS:** Ch 3, 5 s c in  
1st st of ch, cut yarn. Do not turn rows  
and cut yarn at end of each row. **2nd  
ROW:** Work in s c and in back loop of



*Black*  
*White*  
*and Gray*

sts working 2 s c in 1st and last st and 3 s c in center st, cut yarn. Repeat 2nd row 4 (5) times, finish all ends. Sew half motifs in place along each sleeve and front edge. Sev: 3 half motifs at neck. Sew and ease 2 motifs at each side of front edge matching A to A, B to B and C to C as shown on chart. **EDGE:** Working loosely with Black work a row of s c around front edge, cut yarn. Join Black in 1st s c, work 1 sl st in each s c, cut yarn. Finish sleeve edges to correspond. Fold coat and sew side and sleeve seams. Fold motifs of lower edge in half for hem and blind st in place.



OR SMALL SIZE  
INDICATION

## Skirt

continued from page 17

**3rd ROUND:** Attach White, ch 3, 1 d c in each of the next 3 d c, \* 2 d c, ch 3, 2 d c in corner loop, 1 d c in each of the next 7 d c, repeat from \* twice, 2 d c, ch 3, 2 d c in next corner, 1 d c in each of the next 3 d c, join, cut yarn. **4th ROUND:** Attach Gray, ch 3, 1 d c in each of the next 5 d c, \* 2 d c, ch 3, 2 d c in next corner, 1 d c in each of the next 11 d c, repeat from \* twice, 2 d c, ch 3, 2 d c in next corner, 1 d c in each of the next 5 d c, join, cut yarn. **5th ROUND:** Attach White, ch 3, 1 d c in each of the next 7 d c, \* 2 d c, ch 3, 2 d c in corner, 1 d c in each of the next 15 d c, repeat from \* twice, 2 d c, ch 3, 2 d c in next corner, 1 d c in each of the next 7 d c, join. **6th ROUND:** Ch 1, 1 s c in same space, 1 s c in each of the next 9 d c, \* 1 s c, ch 3, 1 s c in corner, 1 s c in each of the next 19 d c, repeat from \* twice, 1 s c, ch 3, 1 s c in next corner, 1 s c in each of the next 9 d c, join. **7th ROUND:** Ch 3, 1 d c in each of the next 10 s c, \* 2 d c, ch 3, 2 d c in next corner, 1 d c in each of the next 21 s c, repeat from \* twice, 2 d c, ch 3, 2 d c in next corner, 1 d c in each of the next 10 s c, join, cut yarn. **8th ROUND:** Attach Kelly Green, ch 3, 3 d c in same space, drop loop from hook and complete popcorn st same as 1st popcorn st of 1st round, \* 1 d c in each of the next 3 sts, popcorn st in next st, repeat from \* to corner, 2 d c, ch 3, 2 d c in corner loop, popcorn st in next st, repeat from 1st \* all around ending to correspond, join, cut yarn. **9th ROUND:** Attach Black, ch 3, 1 d c in each of the next 14 sts, \* 2 d c, ch 3, 2 d c in corner, 1 d c in each of the next 29 sts, repeat from \* twice, 2 d c, ch 3, 2 d c in next corner, 1 d c in each of the next 14 sts, join. **10th ROUND:** Ch 1, 1 s c in same space, 1 s c in each of the next 16 sts, \* 1 s c, ch 3, 1 s c

in corner, 1 s c in each of the next 33 sts, repeat from \* twice, 1 s c, ch 3, 1 s c in corner, 1 s c in each of the next 16 sts, join. **11th ROUND:** Ch 3, 1 d c in each of the next 17 sts, \* 2 d c, ch 3, 2 d c in corner, 1 d c in each of the next 35 sts, repeat from \* twice, 2 d c, ch 3, 2 d c in corner, 1 d c in each of the next 17 sts, join, cut yarn. **12th ROUND:** Attach White, ch 3, 1 d c in each of the next 19 sts, \* 2 d c, ch 3, 2 d c in corner, 1 d c in each of the next 39 sts, repeat from \* twice, 2 d c, ch 3, 2 d c in corner, 1 d c in each of the next 19 sts, join. **13th ROUND:** Ch 1, 1 s c in same space, 1 s c in each of the next 21 sts, \* 1 s c, ch 3, 1 s c in corner, 1 s c in each of the next 43 sts, repeat from \* twice, 1 s c, ch 3, 1 s c in corner, 1 s c in each of the next 21 sts, join. **14th ROUND:** Ch 3, 1 d c in each of the next 22 sts, \* 2 d c, ch 3, 2 d c in corner, 1 d c in each of the next 45 sts, repeat from \* twice, 2 d c, ch 3, 2 d c in corner, 1 d c in each of the next 22 sts, join, cut yarn. **15th ROUND:** Attach Kelly Green, repeat 8th round. **16th ROUND:** Attach White, ch 3, 1 d c in each of the next 26 sts, \* 2 d c, ch 3, 2 d c in corner, 1 d c in each of the next 53 sts, repeat from \* twice, 2 d c, ch 3, 2 d c in corner, 1 d c in each of the next 26 sts, join, cut yarn. **17th ROUND:** Attach Black, ch 3, 1 d c in each of the next 28 sts, \* 2 d c, ch 3, 2 d c in corner, 1 d c in each of the next 57 sts, repeat from \* twice, 2 d c, ch 3, 2 d c in corner, 1 d c in each of the next 28 sts, join, cut yarn. Work 2 more motifs to correspond. Block each motif to measure. Sew motifs tog through back loop of sts. **WAISTBAND:** Attach Black, work in s c dec every 2nd st in 1st round. Continue even in s c until waistband is 1 1/2 inches wide, sl st in next 2 sts to even round, cut yarn. **CASING FOR ELASTIC:** Attach yarn in any s c of 2nd s c row of waistband, ch 5, \* skip 3 s c, sl st in last s c row, ch 5, skip 3 s c,

sl st in 2nd s c row, repeat from \* all around, join, cut yarn.

**BORDER:** Attach Black, ch 1, 1 s c in same space, 1 s c in each st all around, join. **2nd ROUND:** Ch 3, 1 d c in each st, join. Repeat last 2 rounds 5 times or as many times as necessary for length desired. Lace elastic through casing.

## Fiesta

*illustrated in color on page 17*

**SIZE:** One size will fit 10-16

Materials Required:

**AMERICAN THREAD COMPANY**

**"DAWN" KNITTING WORSTED**

8 ounces Golf Green

2 ounces each Flame, Tangerine, Potter Gold, Pink, Orange, Scarlet and Bittersweet or colors of your choice.

Plastic Crochet Hook Size H OR ANY SIZE HOOK WHICH WILL RESULT IN GAUGE BELOW.

¾ yd. ¾ inch elastic

**GAUGE:** Each square measures 6 inches.

**SQUARE:** With any color ch 20, yarn over, insert in 2nd st from hook, pick up and pull through, yarn over, skip next st of ch, insert in next st, pick up and pull through, yarn over and pull through all 5 loops on hook, \* ch 1 (eye of st), yarn over, insert in same space with base of last star st, pick up and pull through, yarn over, skip next st of ch, insert in next st, pick up and pull through, yarn over and pull through all 5 loops on hook, repeat from \* across row, cut yarn. **2nd ROW:** Attach

next color in eye of st, ch 1, turn, yarn over, insert in same st, \* pick up and pull through, yarn over, insert in eye of next st, pick up and pull through, yarn over and pull through all 5 loops on hook, ch 1, yarn over, insert in same space with base of last star st, repeat from \* across row working last part of st in turning ch, cut yarn. Repeat 2nd row 6 times working color combinations as desired.

**BORDER:** Attach Golf Green in ch 1 of last st, turn; work 3 s c in same space, \* ch 1, 1 s c in eye of next st, repeat from \* to corner, work 3 s c in corner, \* ch 1, 1 s c in next row, repeat from \* to corner, then work remaining 2 sides to correspond, join in 1st st. **2nd ROUND:** ch 1, working in back loop of sts 1 s c in same st, \* 3 s c in corner st, 1 s c in next st, 2 s c in each of next 8 sts, 1 s c in next st, repeat from \* all around, join, cut yarn. Work 23 more squares in same manner changing colors as desired. Block each square. Sew tog alternating squares vertically and horizontally as illustrated.

**WAISTBAND:** With Golf Green work in s c picking up both loops of each st dec every 3rd st in 1st round, then continue in s c for 1½ inches, sl st in next 2 sts to even round, cut yarn, turn. **CASING FOR ELASTIC:** Attach yarn in 1st round of s c, \* ch 6, sl st in last round of s c, ch 6, sl st in 1st round, repeat from \* all around waistband, join, cut yarn.

**LOWER EDGE:** Working in pattern same as squares and with right side facing attach Golf Green and work 1 round, cut yarn. Attach Tangerine, join, ch 1, turn, work 1 round Tangerine, cut yarn. Attach Pink, join, ch 1, turn, work 1 round Pink, cut yarn. Attach next color, join, ch 1, turn. Continue in same manner arranging colors as desired for length required. Lace elastic through casing to fit waist.

# Crocheted Squares

## Add Up To A Lovely Blouse

**SIZES: 12, 14, 16**

Materials Required:

**AMERICAN THREAD COMPANY**  
**The Famous "PURITAN" MERCERIZED**  
**CROCHET COTTON, Article 40.**  
9 (9, 10) Balls White or  
**"GIANT" MERCERIZED CROCHET COT-**  
**TON, Article 150**  
4 (4, 5) balls White

Steel Crochet Hook Size O OR ANY SIZE  
HOOK WHICH WILL RESULT IN MOTIF  
GAUGE BELOW.

**GAUGE:** Each motif is a 1½ inch square.  
Directions are given for small size (12).  
Changes for medium (14) and large  
(16) sizes are given in parentheses.

**NOTE:** Work with double strand through-  
out.

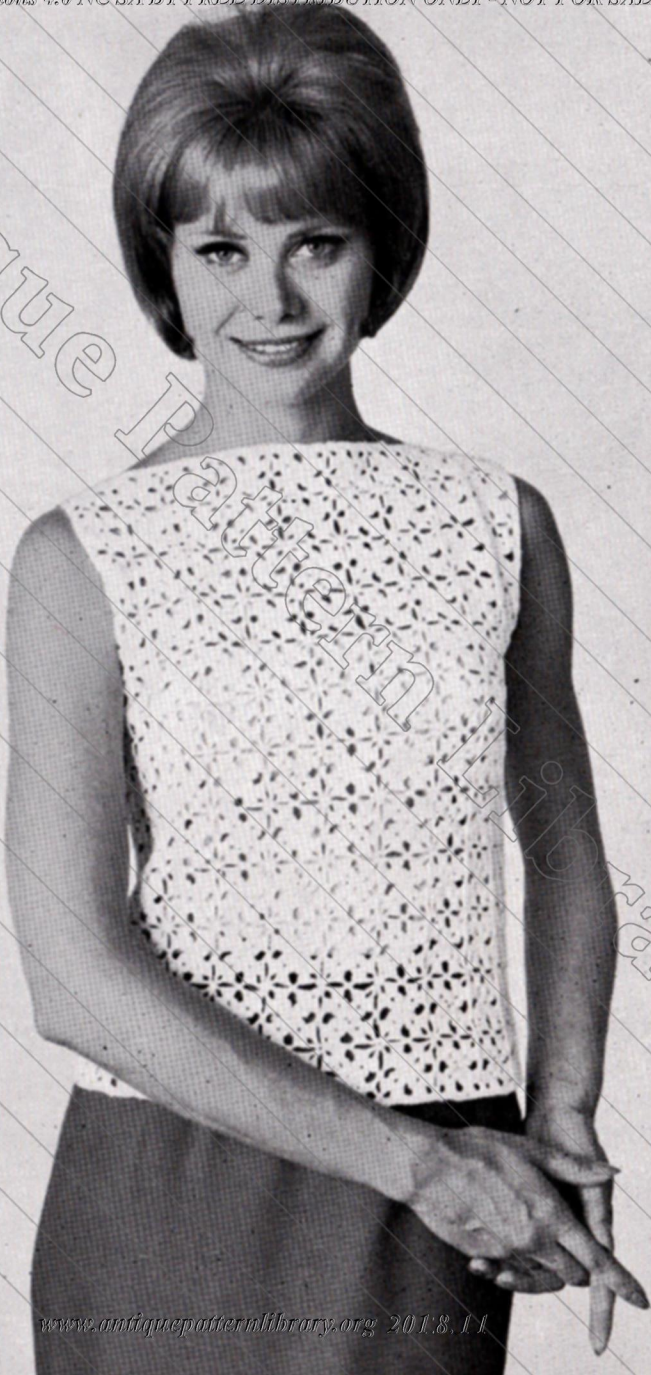
**MOTIF:** \* Ch 4, d c in 1st st of ch, ch 1,  
d c in same space, ch 3, sl st in same  
space (petal), repeat from \* 3 times,  
join in base of 1st petal. **2nd ROUND:**  
Sl st to ch 1 space of petal, ch 3, 2 d c,  
ch 4, 3 d c in same space, \* ch 2, 3 d c,  
ch 4, 3 d c in ch 1 space of next petal,  
repeat from \* twice, ch 2, join in 3rd st  
of ch, cut yarn.

Work a 2nd motif in same manner joining  
to 1st motif in last round as follows: sl st  
to ch 1 space, ch 3, 2 d c in same space,  
ch 2, sl st in corner loop of 1st motif,  
ch 2, 3 d c in same space of 2nd motif,  
ch 1, sl st in ch 2 loop of 1st motif, ch 1,  
3 d c in ch 1 space between petals, ch 2,  
join in corresponding space of 1st motif,

ch 2, complete same as 1st motif. Con-  
tinue in same manner according to chart  
on page 32.

Work an underarm fill-in motif as follows:  
work 1st 3 petals same as 1st motif, sl st to  
space in center of petals, ch 2, 2 d c in  
same space, ch 1, sl st between motifs of  
back at A on chart, ch 1, 3 d c in same  
space, sl st in next ch 2 space of motif of  
back, 3 d c in space of next petal, ch 1,  
sl st in next corner of same motif of back  
at B, ch 1, 3 d c in same space of petal of  
joining motif, ch 2, 3 d c in center of next  
petal, ch 1, sl st in joining at seam edge C,  
ch 1, 3 d c in same space of petal, sl st in  
next ch 2 space of motif of back, join, cut  
thread. Finish all armhole corners in same  
manner. **FINISHING:** Block front and back  
sections. Join 1 motif of front and back  
for shoulder seam matching D to D and  
E to E. Join motifs at underarm for side  
seam. Attach thread in seam at lower  
edge, \* 2 s c in ch 4 loop, s c in next d c,  
skip next d c, s c in next d c, 2 s c in next  
ch 2 loop, s c in next d c, skip next d c,  
s c in next d c, 2 s c in next ch 4 loop,  
repeat from \* all around ending to corre-  
spond, join. **2nd ROUND:** Work 1 sl st in  
each st all around, join, cut thread. Attach  
thread in seam st at shoulder and work 2  
rounds around neck same as lower edge,  
cut thread. Attach thread in underarm  
seam st at armhole and work 2 rounds  
same as lower edge working 3 d c in joining  
of fill-in motif at underarm, join, cut  
thread.

Antique Pattern Library



# Simple Motifs

## In Divine Colors For An Exciting Skirt

**SIZE: 10 - 16**

Materials Required:

**AMERICAN THREAD COMPANY  
"DAWN" KNITTING WORSTED**

10 ounces Color #1

3 ounces each Color #3 and Color #4

8 ounces Color #2 or colors of your choice

Plastic Crochet Hook Size H OR ANY  
SIZE HOOK WHICH WILL RESULT IN  
MOTIF GAUGE BELOW.

¾ yard elastic

**GAUGE:** Each motif is a 2½ inch square.

Work 162 motifs working 1st 4 rounds  
same as motif on page 12 having 54 in  
Color #1, 54 in Color #2, 27 in Color #3  
and 27 in Color #4.

**FINISHING:** Block each motif. Sew 9 x 18  
motifs tog through loop in back of sts  
of last round arranging motifs according  
to chart on this page and using any one  
color for sewing throughout.

**WAISTBAND:** Working into back loop of  
sts only work a round of s c decreasing  
every other st, do not join. Continue in  
s c rounds until waistband is 1½ inches  
wide, sl st in next 2 s c, cut yarn.

**CASING FOR ELASTIC:** Attach yarn on  
inside of waistband in last round, \* ch 5,  
skip 3 s c, sl st in 1st round, ch 5, skip  
3 s c, sl st in next s c of last round, repeat  
from \* all around, join, cut yarn. Lace  
elastic through casing.

**Color #1**

Black  
Potter Gold  
Dk. Green  
Cocoa  
Cocoa

**Color #2**

Dk. Violet  
Tangerine  
Potter Gold  
Opal Blue  
Beige

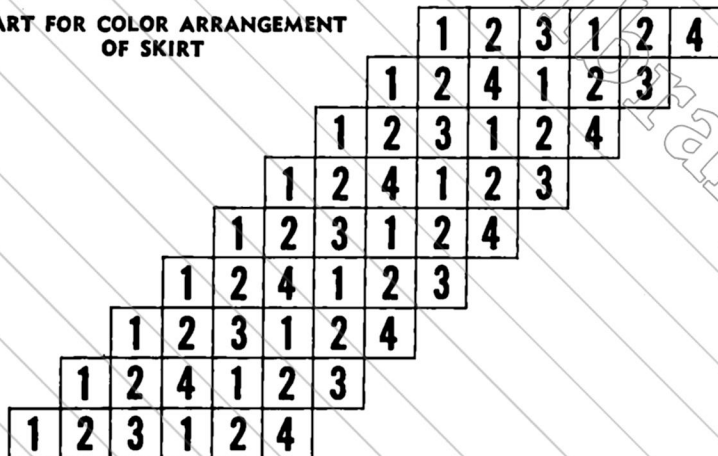
**Color #3**

Peacock  
Watermelon  
Watermelon  
Med. Blue  
Orange

**Color #4**

Nile Green  
Bright Pink No. 3  
Emerald  
Beige  
Tangerine

**CHART FOR COLOR ARRANGEMENT  
OF SKIRT**







"DIAMOND" Skirt #3  
Directions on Page 27

## The Calico Skirt - #2 Above

**SIZE:** One size fits 10-16

Materials Required:

**AMERICAN THREAD COMPANY**  
The Famous "PURITAN" MERCERIZED  
CROCHET COTTON, Article 40

14 balls White

3 balls Blue

2 balls Buttercup or

**"GIANT" MERCERIZED CROCHET COT-**  
**TON, Article 150**

6 balls White

1 ball each Blue and Yellow or colors of  
your choice.

Steel Crochet Hook No. 7 OR ANY SIZE  
HOOK WHICH WILL RESULT IN MOTIF  
GAUGE BELOW.

$\frac{3}{4}$  yd. elastic

**GAUGE:** Each motif measures  $2\frac{3}{4}$  inches  
at widest point.

**COLORED MOTIF:** Work 48. With Blue  
ch 7, join to form a ring, ch 3, d c in  
ring, \* ch 3, 2 d c in same space, repeat  
from \* 4 times, ch 3, join in 3rd st of  
ch, cut thread. **2nd ROUND:** Attach But-  
tercup or Yellow in 1st d c of any d c

*continued on page 26*

## The Calico Skirt

continued from page 25

group, s c in same space, s c in next d c, s c in next loop, d c in ring of preceding round working over the ch 3 loop, s c in same loop, \* 1 s c in each of the next 2 d c, s c in next loop, d c in ring working over the ch 3 loop, s c in same loop, repeat from \* all around, join in 1st s c.

**3rd ROUND:** Ch 1, s c in same space, 1 s c in each of the next 2 s c, 3 s c in next d c, \* 1 s c in each of the next 4 s c, 3 s c in next d c, repeat from \* 4 times, s c in next s c, join in 1st s c, cut thread. **4th ROUND:** Attach Blue in center s c of any 3 s c group, ch 6, d c in same space, \* 1 d c in each of the next 6 s c, 1 d c, ch 3, 1 d c in next s c, repeat from \* 4 times, 1 d c in each of the next 6 s c, join in 3rd st of ch 6, cut thread. **5th ROUND:** Attach Buttercup or Yellow in any ch 3 loop, ch 3, 2 d c in same space, \* 1 d c in each of the next 8 d c, 3 d c in next loop, repeat from \* 4 times, 1 d c in each of the next 8 d c, join, cut thread. **6th ROUND:** Attach Blue in center d c of any 3 d c group, 3 s c in same space, \* 1 s c in each of the next 10 d c, 3 s c in next s c, repeat from \* all around ending to correspond, join. **7th ROUND:** Ch 1 and work 1 s c in each s c working 3 s c in center st at each point, join in 1st s c, cut thread.

**WHITE MOTIF:** Work 216. Work 1st round same as colored motif, do not cut thread. **2nd ROUND:** Ch 1, s c in same space, s c in next d c, s c in next loop, d c in ring of preceding round working over the ch 3 loop, s c in same loop, \* 1 s c in each of the next 2 d c, s c in next loop, d c in ring working over the ch 3 loop, s c in same loop, repeat from \* all around, join in 1st s c. **3rd ROUND:** Same as 3rd round of colored motif, do not cut thread. **4th ROUND:** Ch 3, 1 d c in each of the next 3 s c, \* 1 d c, ch 3, 1 d c in next s c, 1 d c in each of the next

6 s c, repeat from \* 4 times, 1 d c, ch 3, 1 d c in next s c, 1 d c in each of the next 2 s c, join in 3rd st of ch. **5th ROUND:** Ch 3, 1 d c in each of the next 4 d c, \* 3 d c in next loop, 1 d c in each of the next 8 d c, repeat from \* 4 times, 3 d c in next loop, 1 d c in each of the next 3 d c, join in 3rd st of ch. **6th and 7th ROUNDS:** Ch 1 and work 1 s c in each st working 3 s c in center st at each corner, join each round in 1st s c, cut thread at end of last round.

**FINISHING:** Block all motifs. Sew motifs tog according to chart on page 27. Add or omit rows of White motifs for desired length. Fold work in half widthwise and sew motifs tog. With right side facing and with White work a row of s c along one edge working 3 s c in each point, join, cut thread. With right side facing attach White in 1st s c before any point, s c in same space, 1 s c in each of the next 2 s c, keeping last loop of each st on hook work 1 d c in each of the next 4 s c, thread over and work off all loops at one time (d c cluster st). **NOTE:** All cluster sts will be worked in this manner. \* Tr c cluster st over next 4 s c, d tr c cluster st over next 4 s c, tr tr c (4 times over hook) cluster st over next 4 s c, d tr c cluster st over next 4 s c, d c cluster st over next 4 s c, 1 s c in each of the next 3 s c, repeat from \* all around ending to correspond, join. **2nd ROUND:** **START WAISTBAND:** Ch 1, 1 s c in each st, join in 1st s c. **3rd ROUND:** Ch 3, 1 d c in each s c, join in 3rd st of ch. Repeat last 2 rounds 4 times. **12th ROUND:** Ch 1, 1 s c in each st, join, cut thread. **CASING FOR ELASTIC:** Working on wrong side attach White in any d c of last d c row, \* ch 10, skip about 1 1/4 inches, sl st in st of 2nd s c row, ch 10, skip about 1 1/4 inches, sl st in d c of same d c row, repeat from \* all around, join, cut thread. Lace elastic through casing and sew elastic edges tog.

# The Diamond Skirt - #3

illustrated on page 25

Sizes: Small-Medium; Medium-Large

Materials Required:

**AMERICAN THREAD COMPANY  
"DAWN" KNITTING WORSTED**

12 ounces each Olyette and Bittersweet or colors of your choice

1 Pr. Knitting Needles No. 9 OR ANY SIZE NEEDLES WHICH WILL RESULT IN STITCH GAUGE BELOW

¾ yard narrow elastic

**GAUGE:** 9 sts = 2 inches; triangle measures 6 (6¼) inches at widest part.

Directions are given for small-medium size (10-14). Changes for medium-large (14-18) size given in parentheses.

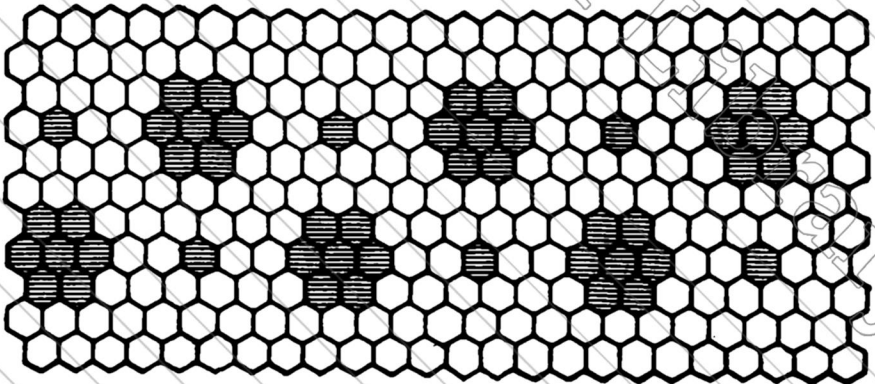
**TRIANGLE:** Cast on 3 sts, K across. **NEXT ROW:** Sl 1 as if to P, working in front of next st P 1, K 1, (an inc), P remaining.

**NEXT ROW:** Sl 1 as if to K, working in front of next st K 1, P 1 (an inc), K remaining sts. Repeat last 2 rows until there are 28 (30) sts on needle, bind off. Work 40 triangles of each color. Block each triangle. Alternating colors sew triangles tog through loop in back of sl sts on each side and through loop in back of each bound off st. Work a sl st in matching color along each motif on lower edge.

**WAISTBAND:** With Bittersweet cast on 7 sts. K across row inc 1 st in each st.

**2nd ROW:** K 1 in back loop of st, \* sl 1 as if to P, K 1, repeat from \* across row ending with sl 1. Repeat 2nd row until waistband measures 26 (28) inches or desired waistline length, bind off. Lace elastic through band. Work a row of sl sts across top of skirt drawing skirt in to measure 26 (28) inches. Sl st waistband in place concealing sts. Seam waistband.

## CHART FOR CALICO SKIRT



 COLORED MOTIF

 WHITE MOTIF

# The Morning Glory Afghan Skirt

**Sizes: 10-12-14; 16-18-20**

Materials Required:

**AMERICAN THREAD COMPANY  
'DAWN' KNITTING WORSTED**

14 (16) ounces Black

8 (10) ounces White

4 (5) ounces each Turquoise and Kelly Green

1/3 ounce Amber or colors of your choice  
Plastic Crochet Hook size G

Directions are given for size 10-12-14.  
Changes for 16-18-20 are given in parentheses.

Each Motif measures about 7 inches.

3/4 yd elastic

**MOTIF:** With Turquoise ch 13, sl st in 6th st from hook to form a ring, over remainder of ch work 1 s c, 1 s d c (s d c: yarn over hook, insert in st, pull loop through, yarn over and work off all loops at one time), 5 d c, \* ch 6, drop loop from hook, insert hook in ring, pick up loop and pull through ring, ch 1, over the ch 6 just made work 1 s c, 1 s d c, 5 d c, repeat from \* 10 times, join in 1st st of starting ch (12 petals completed). **2nd ROW:** \* Ch 6, sl st in 4th st from hook for picot,

ch 2, s c in next loop between petals repeat from \* all around, join, cut yarn.

**3rd ROW:** Attach Kelly Green in any s c, ch 3, keeping last loop of each d c on hook, 2 d c in same space, yarn over and work off all loops at one time, \* ch 2, s c in next picot, ch 2, cluster st in next s c (cluster st: keeping last loop of each d c on hook, 3 d c in same space, yarn over and work off all loops at one time), repeat from \* all around ending with ch 2, s c in next picot, ch 2, join in top of 1st cluster st, cut yarn. **4th ROW:** Attach White in any

s c, ch 3, 2 d c in same space, ch 3, 3 d c in same space (corner), \* ch 2, 3 d c in next s c, ch 2, 3 d c in next s c, ch 2, 3 d c, ch 3, 3 d c in next s c (corner), repeat from \* all around ending with ch 2, 3 d c in next s c, ch 2, 3 d c in next s c, ch 2, join in 3rd st of ch, cut yarn. **5th ROW:** Attach Black in corner loop, ch 3, 2 d c in same space, ch 3, 3 d c in same space, \* 1 d c in each of the next 3 d c, 2 d c in next loop, repeat from \* twice, 1 d c in each of the next 3 d c, 3 d c in next corner loop, ch 3, 3 d c in same space, repeat from 1st \* all around ending to corre-

spond, join. **6th ROW:** Ch 1 and work 1 s c in each d c and 3 s c in each corner loop, join, cut yarn. Thread White into embroidery needle, bring needle up through center of ring and work a straight stitch over center of each petal leaving 3 d c at top of each petal free. With Amber work a back st around lower edge of each straight st. Work 11 (14) more motifs in same manner. Work 12 (15) motifs in same manner but using White for 1st 2 rows. With Turquoise embroider straight st over center of each petal. Block each motif.

**FINISHING:** Sew motifs tog through back loops of sts only. Sew 3 x 8 (3 x 10) motifs alternating colored centers. Sew remaining seams.

**WAISTBAND:** Join Black in 1st st of any motif, ch 3, \* yarn over, insert in next st, pull through and work off 2 loops, yarn over, insert in next st, pull through and work off 2 loops, yarn over and work off all loops at one time (a dec), 1 d c in next st, repeat from \* all around, join in 3rd st of ch. **2nd ROUND:** Ch 1, 1 s c in each st, join. **3rd ROUND:** Work in same manner as 1st round. **NEXT 6 ROUNDS:** Repeat 2nd round, join, cut yarn (For 5'2'' or under work only 6 rounds of s c working dec rounds in 1st and 3rd rounds of s c).

**CASING FOR ELASTIC.** Join Black on inside of waistband in any st of 6th round from top, \* ch 5, skip 3 s c, sl st in next st of 2nd round from top, ch 5, skip 3 s c, sl st in next st of 6th round from top, repeat from \* all around, join, cut yarn. Lace elastic through casing.

**LOWER EDGE:** Join Black in any s c, ch 1, 1 s c in each s c, join. **2nd ROUND:** Ch 3, 1 d c in each s c, join in 3rd st of ch. Repeat last 2 rounds twice, cut yarn. (For 5' 7'' or over repeat last 2 rounds for desired length.)



# Slipovers

Sizes 4 to 22

Cardigan directions on page 34

Matching Skirt directions on page 34

## SLIPOVER

Sizes: 4-6; 8-10; 12-14; 16-18; 20-22

Materials Required:

**AMERICAN THREAD COMPANY  
"DAWN" KNITTING WORSTED**

8 (10, 14, 18, 22) ounces for Sweater or Cardigan

Plastic Crochet Hook Size H OR ANY SIZE HOOK WHICH WILL RESULT IN MOTIF GAUGE BELOW.

**GAUGE:** Each motif is a 2 1/2 inch square.

Materials above given for size 4-6. Changes for sizes 8-10; 12-14; 16-18; 20-22 are given in parentheses.

### SIZE 4-6

Work 64 motifs working 1st 4 rounds of motif on page 12.

**BACK:** Sew 5 (width) x 4 (length) motifs tog sewing through back loops of sts only.

**FRONT:** Work same as back.

**SLEEVES:** Sew 3 (length) x 4 (width) motifs tog.

**TO ASSEMBLE:** Place front and back sections tog. Sew 2 lower motifs tog for side seam. Sew 1 motif on front and back for each shoulder. Sew 3 motifs for sleeve seams, then sew sleeves in position to 2 free motifs of front and 2 free of back. Work 52 s c all around neck opening.

**CUFFS:** Work 26 s c around each edge.

**2nd ROUND:** Working in front loops of sts only work 1 s c in each s c. **3rd ROUND:**

Working in back loops of sts only work 1 s c in each s c, sl st in 1st 2 s c to end round. **WAISTBAND:** Working in back loop of sts only, work 68 s c all around lower edge. Repeat 2nd and 3rd rounds of cuffs 3 times, cut yarn.

### SIZE 8-10

Work 84 motifs (same as 4-6)

**BACK:** Sew 6 (width) x 5 (length) motifs tog, sewing through back loops of sts.

**FRONT:** Work same as back.

**SLEEVES:** Same as size 4-6.

**TO ASSEMBLE:** Sew 3 lower motifs tog for each side seam. Sew 1 1/2 motifs tog for each shoulder. Complete same as size 4-6, working 54 s c around neck edge, 28 s c around each cuff and 84 s c around waistband.

### SIZE 12-14

Work 114 motifs (same as 4-6)

**BACK:** Sew 7 (width) x 6 (length) motifs tog sewing through back loops of sts only.

**FRONT:** Work same as back.

**SLEEVES:** Sew 3 (length) x 5 (width) motifs tog.

**TO ASSEMBLE:** Sew lower 3 1/2 motifs tog for side seams. Sew 2 motifs tog for each shoulder. Complete same as size 4-6 working 58 s c around neck edge, 32 s c around each cuff and 98 s c around waistband.

### SIZE 16-18

Work 136 motifs (same as 4-6)

**BACK:** Sew 8 (width) x 6 (length) motifs tog sewing through back loops of sts only.

**FRONT:** Work same as back.

**SLEEVES:** Sew 4 (length) x 5 (width) motifs tog.

**TO ASSEMBLE:** Sew lower 3 1/2 motifs tog for side seams. Sew 2 motifs tog for each shoulder. Complete same as size 4-6 working 62 s c around neck edge, 34 s c around each cuff and 112 s c around waistband.

### SIZE 20-22

Work 174 motifs (same as 4-6)

**BACK:** Sew 9 (width) x 7 (length) motifs tog sewing through back loops of sts only.

**FRONT:** Work same as back.

**SLEEVES:** Sew 4 length x 6 width motifs tog.

**TO ASSEMBLE:** Sew lower 4 motifs tog for side seams. Sew 3 motifs tog for each shoulder. Complete same as size 4-6, working 66 s c around neck edge, 36 s c around each cuff and 126 s c around waistband.



Match A to A and B to B

Fig. 1

**JACKET**  
**SMALL SIZE** - As Shown  
**MEDIUM SIZE** - Add 1 row of motifs to width of back.  
 Leave 4" free at neck,  
 ease at shoulders.

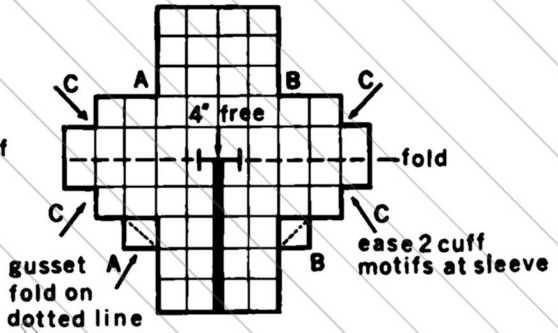
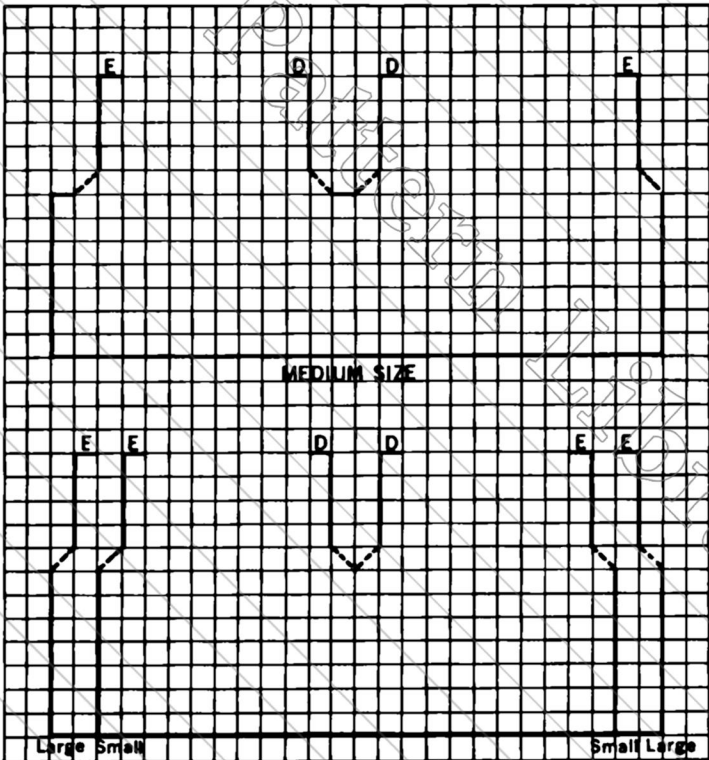


Fig. 4



Each block represents 1 motif  
 3/4 blocks at underarm

**CHARTS FOR:**

Fig. 1 . . . Jacket shown at left on page 13  
 Fig. 4 . . . Blouse shown on page 23



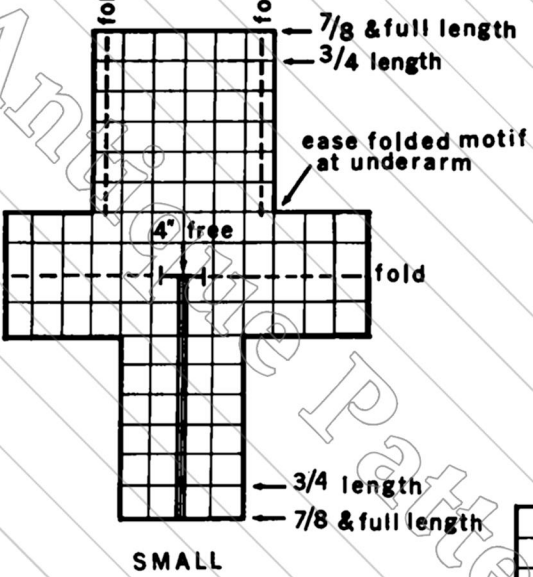
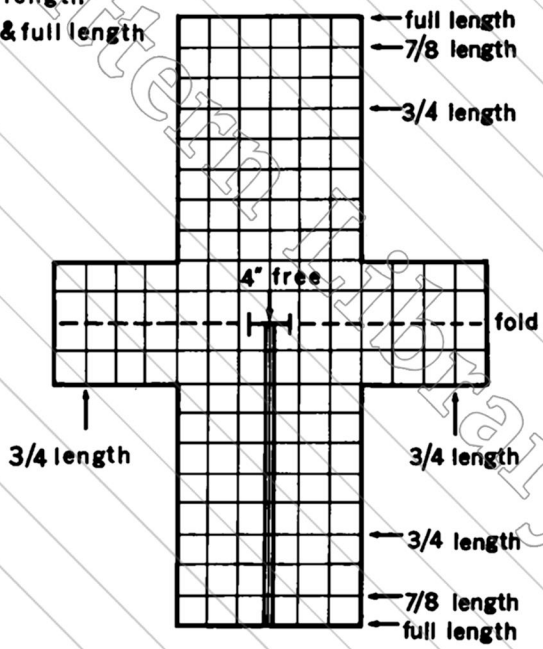


Fig. 2



**CHARTS FOR:**

Fig. 3 ... Small size

Fig. 2 ... Med.-Large size

For 3/4 and 7/8 length coats shown at center and to right on page 13, also full length Afghan Coat shown on page 9.

## Cardigans

### SIZES 4 to 22

Work Back and Sleeves same as corresponding size sweater.

**FRONTS:** Work as follows:

**SIZE 4-6:** Work 16 motifs. Sew 2 x 4 motifs tog for each front. Complete side and sleeve seams same as sweater.

**SIZE 8-10:** Work 20 motifs. Sew 2 x 5 motifs tog for each front. Complete side and sleeve seams same as sweater.

**SIZE 12-14:** Work 24 motifs. Sew 2 x 6 motifs tog for each front. Complete side and sleeve seams same as sweater.

**SIZE 16-18:** Work 36 motifs. Sew 3 x 6 motifs tog for each front. Complete side and sleeve seams same as sweater.

**SIZE 20-22:** Work 42 motifs. Sew 3 x 7 motifs tog for each front. Complete side and sleeve seams same as sweater.

**BORDERS FOR ALL SIZES EXCEPT 12-14:**

Attach yarn at lower right front edge, work s c all around edge working 1 s c in each st working 3 s c in each corner st. **2nd**

**ROUND:** Working into front loops of sts only work 1 s c in each st working 3 s c in each corner st. **3rd ROUND:** Working in back loops of sts only work 1 s c in each st working 3 s c in each corner st. Repeat last 2 rounds twice, cut yarn. Work cuffs same as sweater.

**BORDER-SIZE 12-14:** Attach yarn in 5th st from shoulder seam on left front, sl st in same space, working in back loop of sts, work 1 s c in each s c to corner, ch 1, turn. Work 1 s c in front loop of each s c, sl st in last s c of row below, cut yarn. Work right front to correspond. Then complete border same as border of other sizes.

## Child's Motif Skirt

### SIZES: 4-10

Work 2 more motifs than sweater in width for front and 2 more motifs than sweater

in width for back for size desired. Work as many motifs as necessary for length. Assemble motifs and finish with Border and Waistband same as Larger Skirt on page 12. Work casing for elastic, and lace elastic through casing. If a fuller skirt is desired work more motifs in width.

## Ripple Skirt

*continued from page 5*

s c, 1 s c in each of the next 7 s c, skip 2 s c, repeat from \* all around ending to correspond, join in 1st s c. Repeat 2nd row twice, cut yarn. Repeat 2nd row throughout working \* 4 rows Cocoa, 4 rows Beige, 4 rows Watermelon, 4 rows Potter Gold, 4 rows Tangerine, 4 rows Amber, repeat from \* once, then work 4 rows Cocoa and 4 rows Beige, cut yarn. (Omit or add as many rows here in color scheme as necessary for length desired.)

**WAISTBAND:** Working on right side of starting ch, join Amber in any ch 2 space,

with H hook ch 3, \* holding all loops on hook, insert hook in each of 15 sts pulling loops up the length of a d c, yarn over and pull through all loops at one time, ch 3, s c in next ch 2 space, ch 3, repeat from \* all around ending to correspond, join, ch 1, turn. **2nd ROUND:** Work 1 s c in each s c and in each st of ch, join, ch 1, turn. **3rd ROUND:** 1 s c in each s c, join, ch 1, turn. Repeat 3rd round 3 times, cut yarn. **CASING FOR ELASTIC:** Join Amber in any s c of 1st s c round on inside of waistband, \* ch 5, skip 2 sts, sl st in next s c of last s c round of waistband, ch 5, skip 2 sts, sl st in next s c of 1st s c round, repeat from \* all around ending to correspond, join, cut yarn. Lace elastic through casing.

**CROCHET ABBREVIATIONS**

Chain . . . . .	ch
Stitch . . . . .	st
Slip st . . . . .	sl st
Single Crochet . . . . .	s c
Short Double Crochet . . . . .	s d c
or Half Double Crochet . . . . .	or h d c
Double Crochet . . . . .	d c
Treble Crochet . . . . .	tr c
Double Treble Crochet . . . . .	d tr c
Treble Treble Crochet . . . . .	tr tr c
Picot . . . . .	p
Double Picot . . . . .	d p
Beginning Round . . . . .	beg. rnd
Inclusive . . . . .	incl
Increase . . . . .	inc
Decrease . . . . .	dec

**KNITTING ABBREVIATIONS**

Knit . . . . .	K
Purl . . . . .	P
Stitch . . . . .	St
Yarn Over . . . . .	YO
Decrease . . . . .	Dec.
Increase . . . . .	Inc.
Together . . . . .	Tog.
Round . . . . .	Rnd.
Pass slip st over K st . . . . .	P.s.s.o.

An Asterisk (\*) indicates that the directions immediately following are to be repeated the given number of times in addition to the ones already given. Thus "repeat from \* 3 times" means 4 patterns in all. Sometimes instead of an Asterisk the following phrase will appear (ch 10, skip 5 sts, s c in next st) 3 times. This means, that whatever appears in the parenthesis must be repeated the number of times specified including the closed parenthesis. An even row means work row without increasing or decreasing.

29¢

# Skirts

*suits  
stoles*

CROCHETED  
&  
KNITTED  
SIZES 10 TO 20

