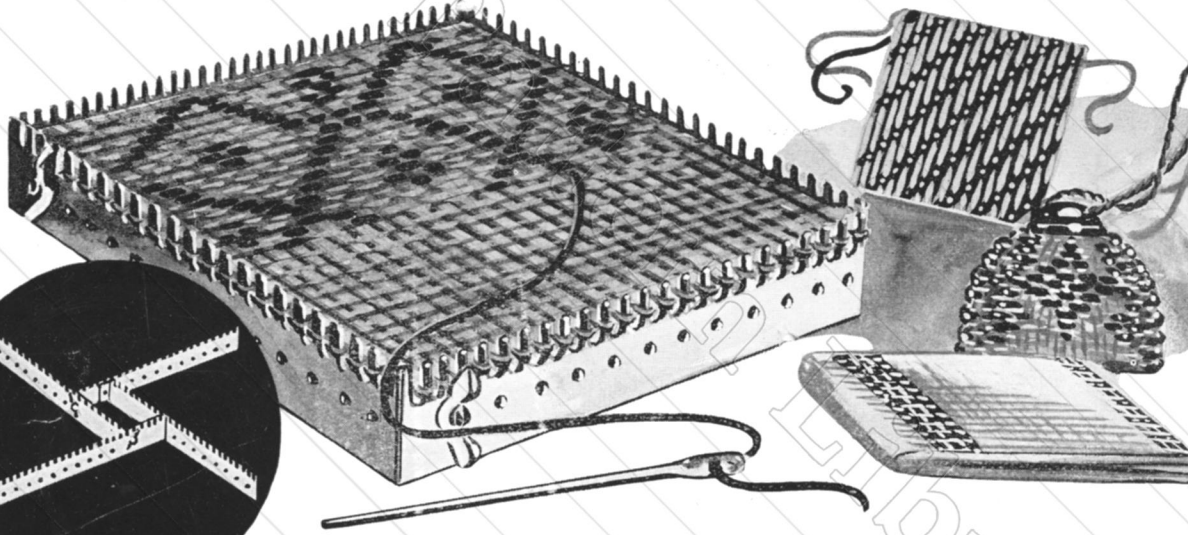


Creative Commons 4.0 NC SA BY FREE DISTRIBUTION ONLY - NOT FOR SALE

“WE’VE FOUND
A BETTER WAY
TO WEAVE”



Patent Applied for

STRAITS THE **ADJUSTABLE** **LOOM**

STRAITS MANUFACTURING CO.

2480 Bellevue Avenue

Detroit, Michigan, U. S. A.

STRAITS ADJUSTABLE LOOM

The STRAITS Adjustable Loom was designed to simplify the new craze which is supplanting knitting.

With the Straits Loom, it is possible to adjust the loom to the particular size needed to meet the requirements of any pattern desired regardless of size. The Straits Loom makes it possible to make any pattern from 2" to 7" square and naturally the relative rectangles.

Four ply yarn is the most satisfactory weight of yarn conveniently used with this loom although lighter weights can be used.

Many delightful effects can be procured through the use of various colored yarns. Naturally the artistry of the weaver governs the effect of the completed work.

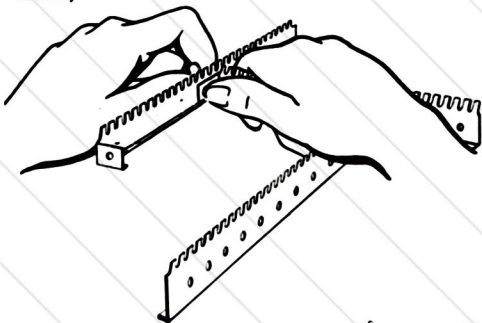
The STRAITS Adjustable Loom comes to you set up to weave 7" squares and if smaller squares are desired, loom can be adjusted by removing all wing nuts and screws. For example if 2" squares are to be woven you can assemble the loom in the following manner. Place one screw through the hole in the short angle of one of the side rails with the head of screw on the inside holding it in position with the thumb thus;



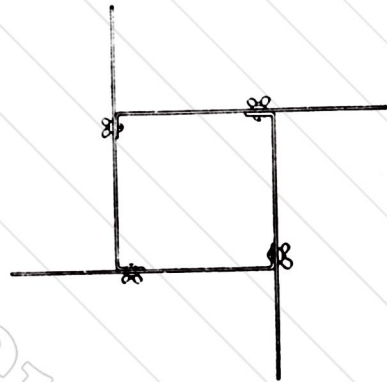
then take another side rail in the left hand holding the short angle towards you and insert point of screw in first hole and attach wing nut thus;



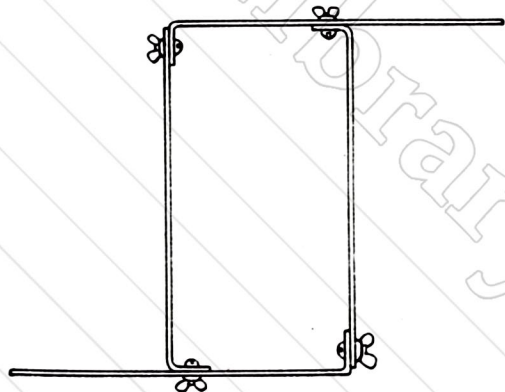
repeat this procedure with third rail thus;



and when the fourth rail is attached in like manner your loom will be ready to weave a 2" square and will look like this;



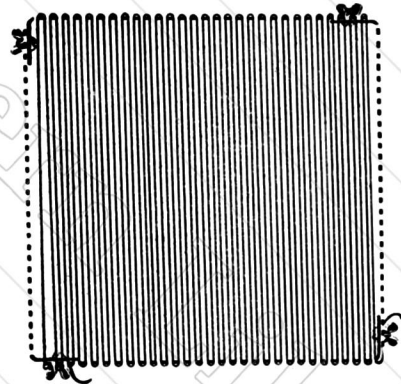
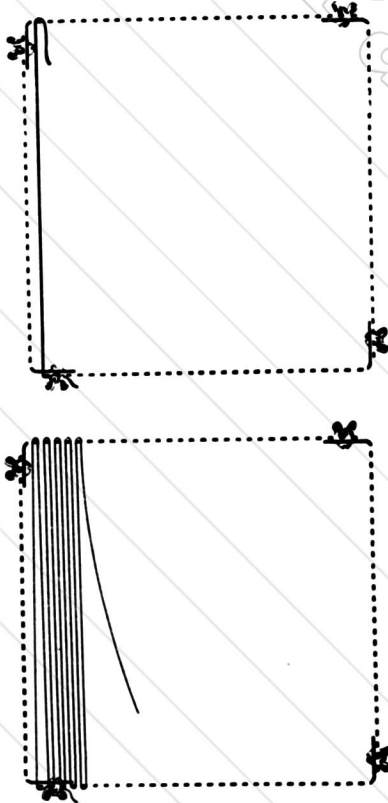
Other size squares or rectangles can be made by following the same procedure except, of course, you will use corresponding holes on all rails for squares and for rectangles the holes will have to correspond on parallel rails.



Directions for Weaving

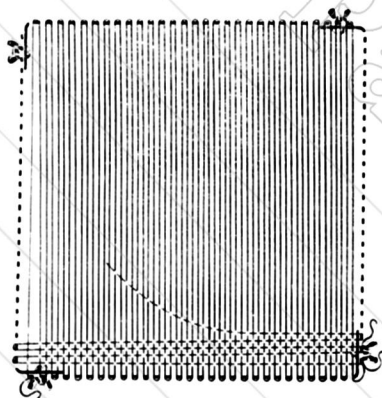
The loom should be held squarely before you with teeth up. Lock end of yarn under the wing nut at the lower left hand corner of loom by unscrewing the wing nut slightly, making one turn of the end of yarn under the nut and tighten same again. Slip the free end of the yarn through the space left of the first tooth of the side of loom nearest you thus;

then through the corresponding space of the rail across from you and loop the yarn to the right and around the first tooth of this rail and back towards you to loop the second tooth of rail nearest you and again across to loop the second tooth of the far rail. Repeat this operation winding the yarn back and forth rather tightly until you have looped every tooth of the loom again locking yarn under wing nut thus, and cut off.

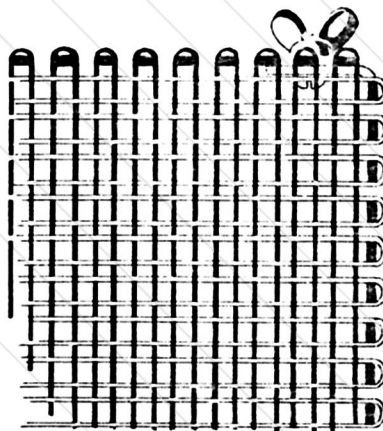


Thread the needle with about six feet of different colored yarn fastening the loose end under the lower right hand wing nut, and begin weaving as closely as possible to the teeth of rail nearest you by passing the needle from right to left successively under the first strand and over the second strand, under the third strand, over the fourth and so on until you have crossed the loom. This first cross strand will then lay right alongside of the teeth of rail

nearest you. Now loop the first tooth of rail on your left and start the needle back to the right side of loom being sure that on the return weave, every strand that you went under with the needle you will now have to go over, likewise those strands that you weave over with the needle you will now have to go under thus:



When you have reached the right side of loom, loop the second tooth and again return back and forth looping one tooth as you reach one side rail, always being sure that each cross strand alternates over and under with the preceding cross strand. As you progress be sure that you keep each cross strand fairly close to the preceding strand. This may be accomplished with the point of the needle. You have now woven one complete square and it will look thus on the loom;

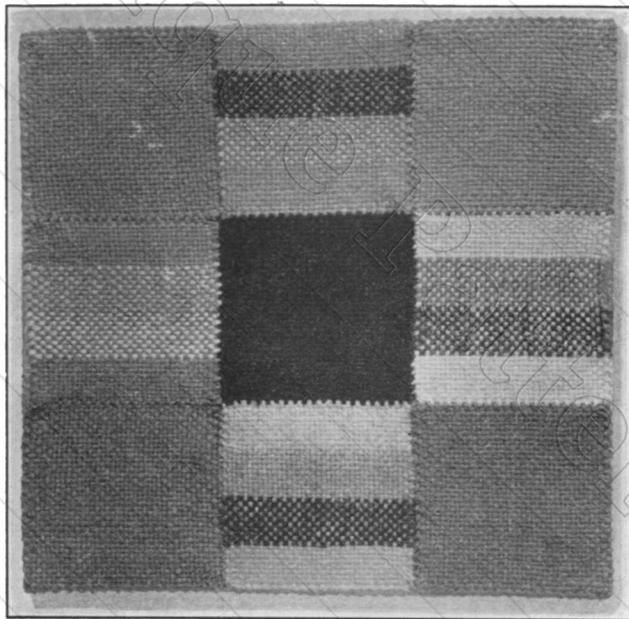


To remove square simply slip off teeth of loom.

These instructions will enable you to make the ordinary simple cross weave: Other effects may be gained in the cross weave by skipping one, two or three strands in a uniform manner and together with the use of different colored yarns, many fascinating effects may be accomplished, such as plaids, blocks, stripes, herring bones, etc.

Experimenting with these alternate plans along with diagonal weaves and double layers will produce a multitude of various designs. These squares or rectangles can then be joined to make scarfs, blankets, purses, bags, sweaters, etc.

DIRECTIONS FOR SEWING SQUARES TOGETHER



Hold squares together, matching squares and loops, sew over and over with the same color of yarn as squares catching the loops of both squares in each stitch. When joining squares of different colors, either color may be used. Sew the squares in strips in the above manner and then sew strips together to produce whatever article you have selected. To improve appearance of the completed article press the squares lightly on both sides with a damp cloth and a warm iron.

MATERIAL REQUIRED FOR MAKING PURSE

½ oz. Germantown
Zephyr Yarn

¼ yd. Lining

1 6" Zipper

Weave two squares
6½"x5". Sew sides and
bottom together. Cut
lining to fit and sew to
purse, then sew in zip-
per.

